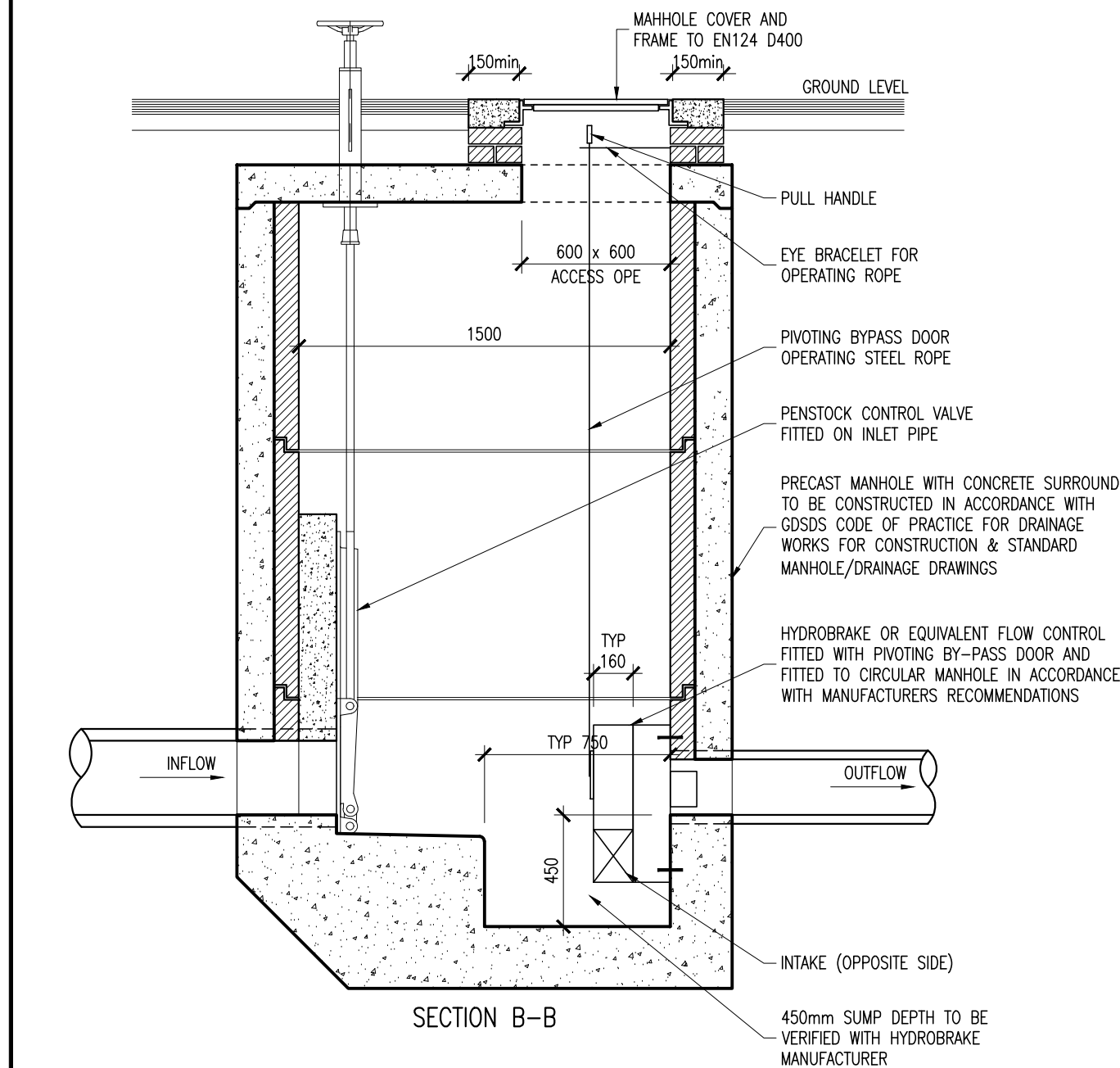
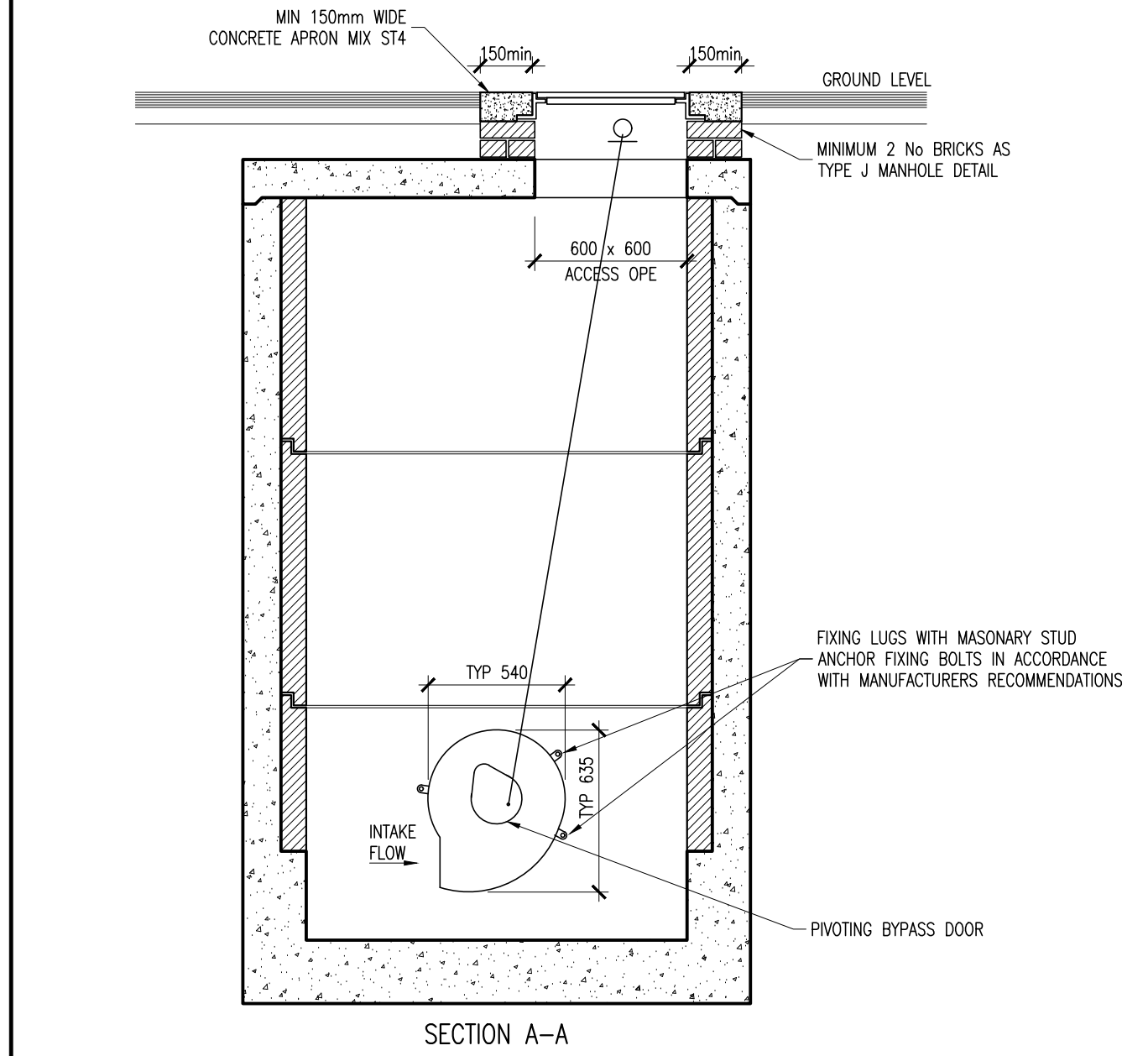
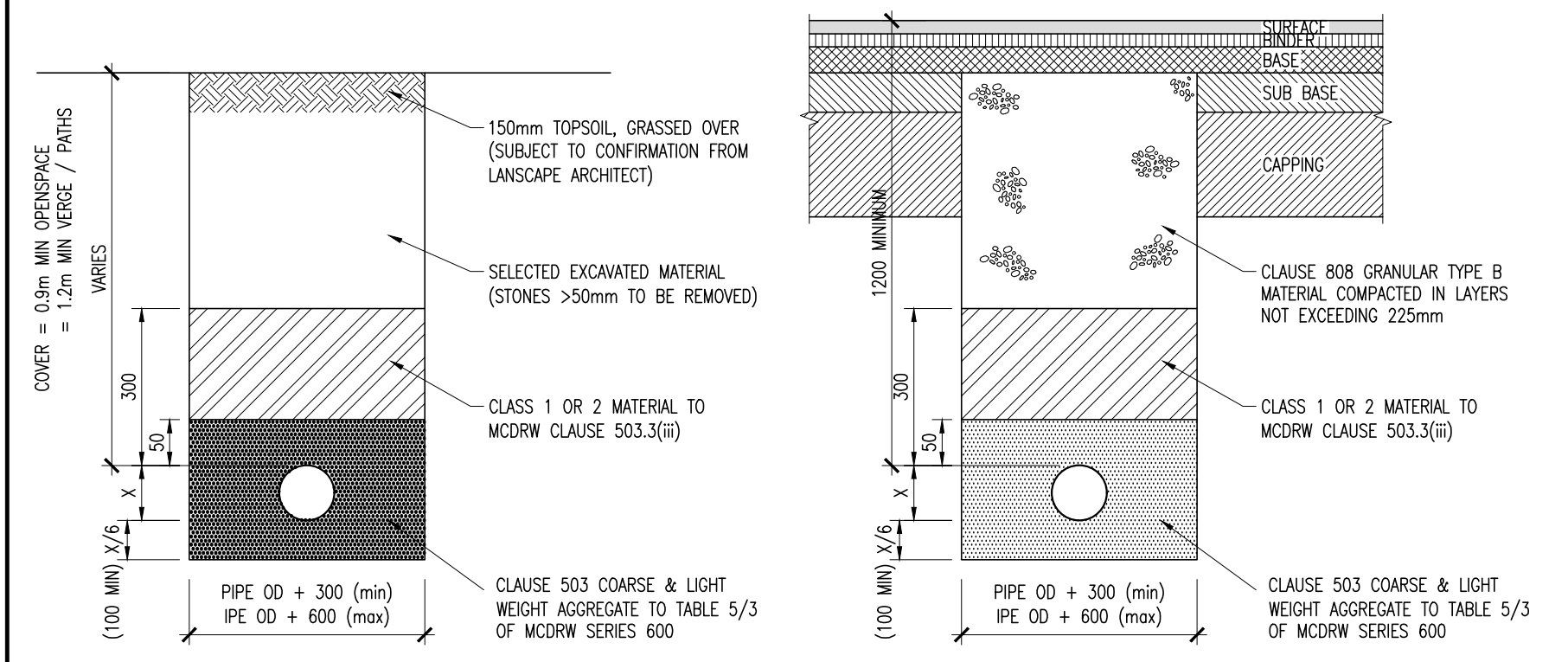
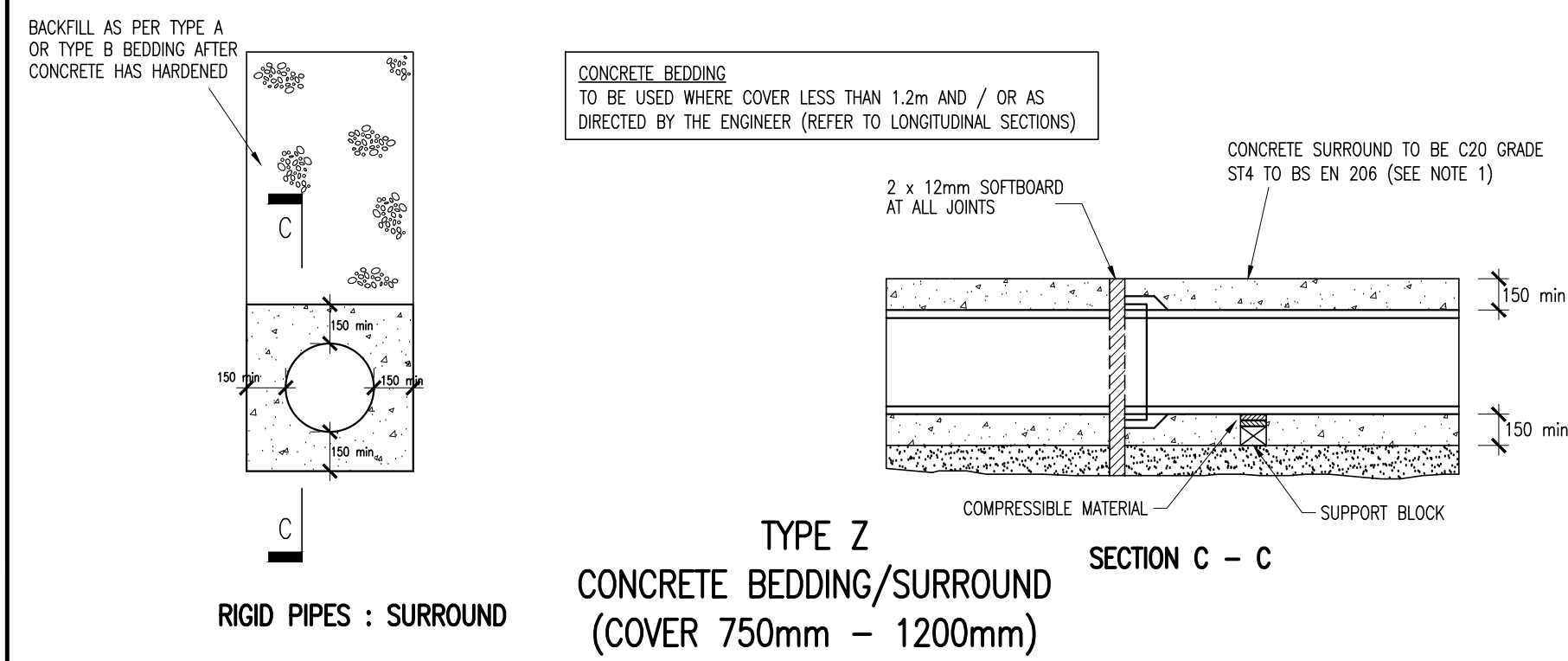


DIMENSIONS

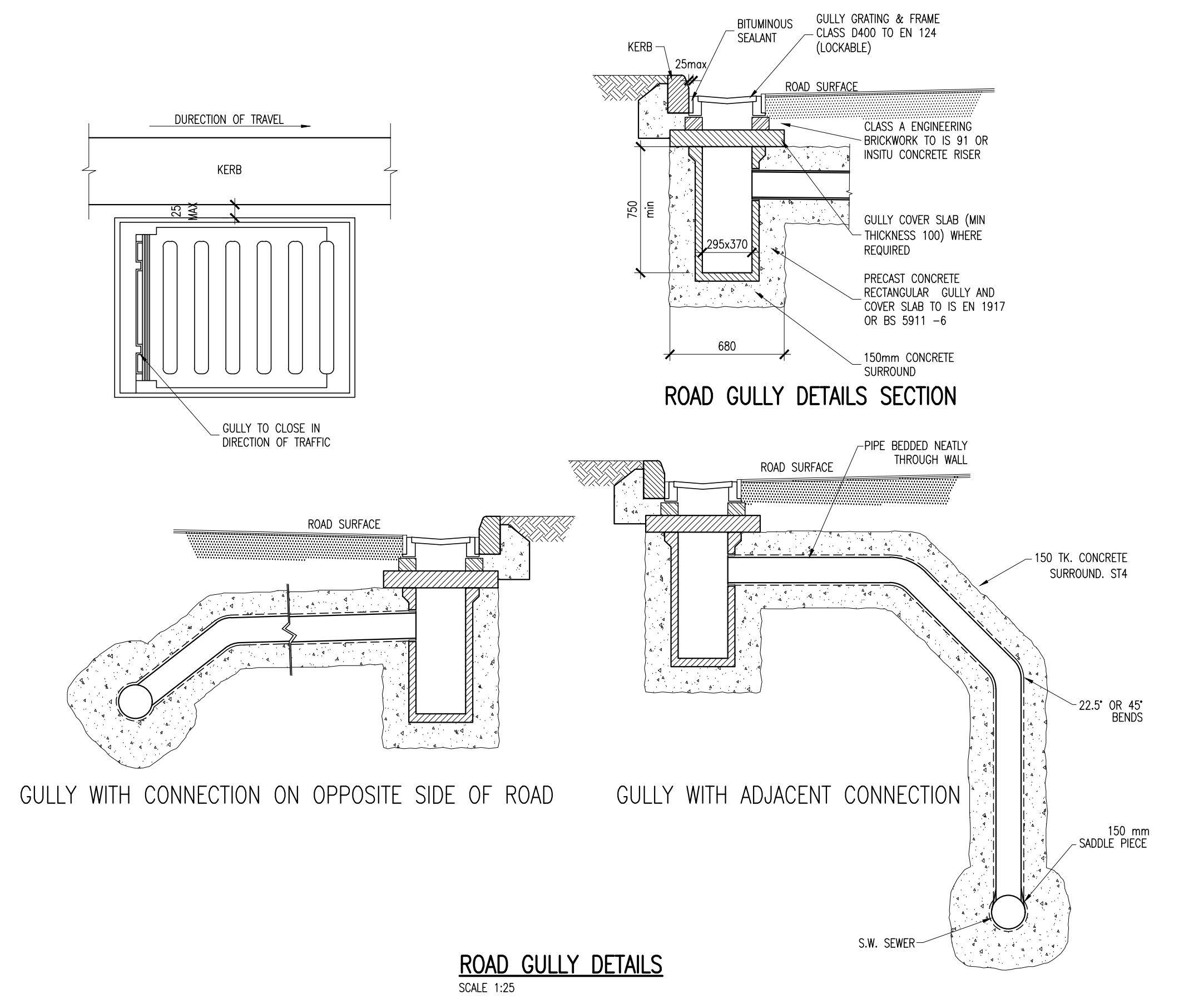
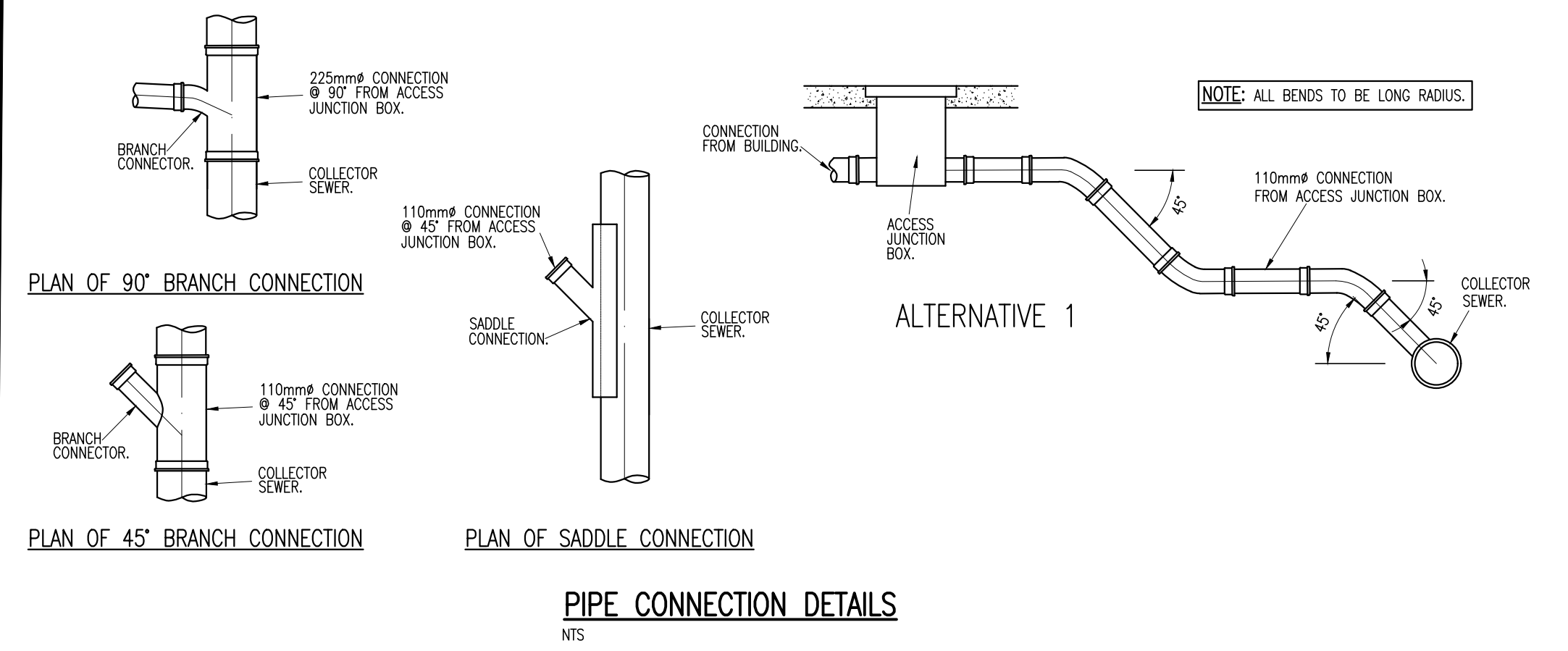
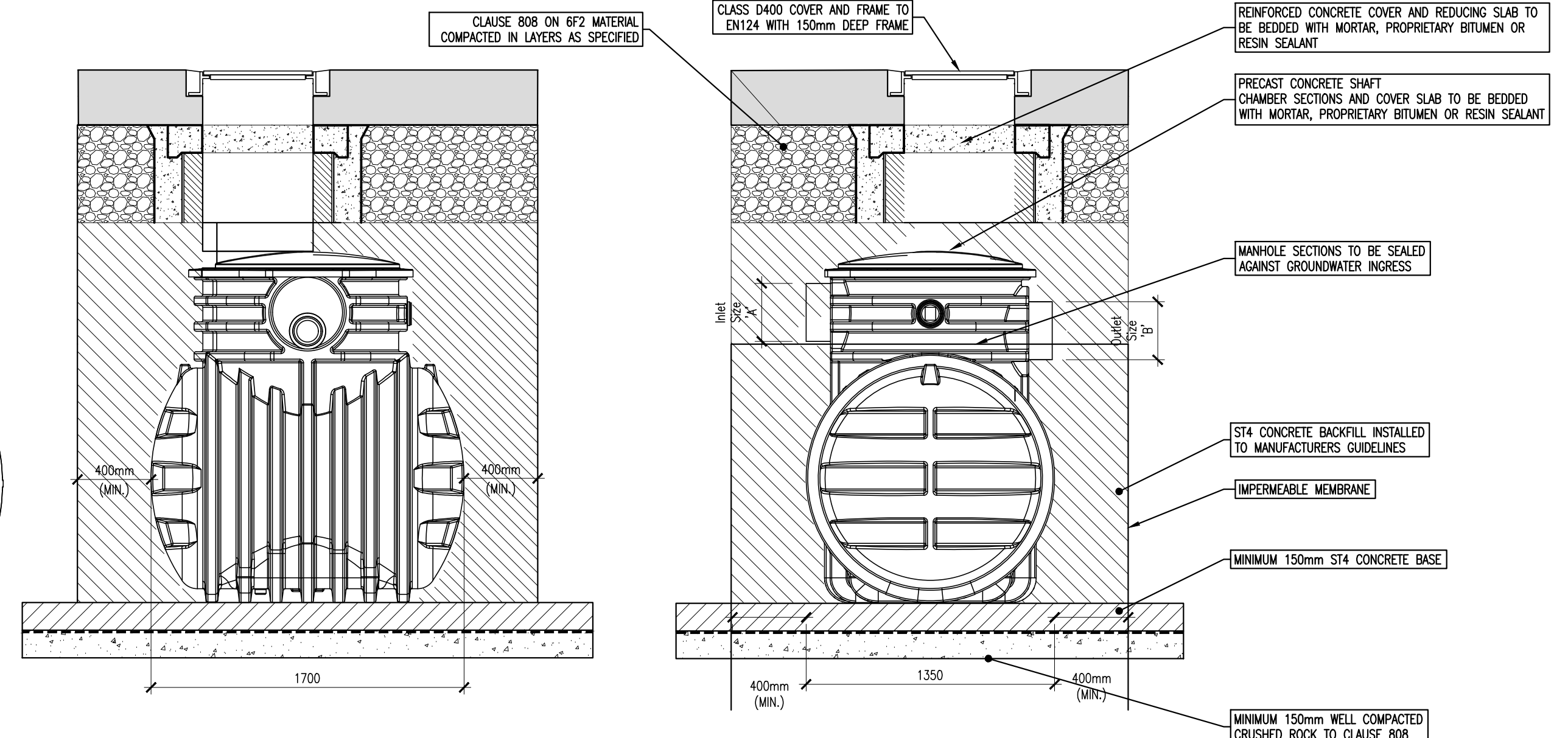
UNIT REF No.	NOMINAL FLOW	STD. PIPE R	FALL ACROSS UNIT	INLET SIZE 'A'	INLET SIZE 'B'
NSFA 010	10 L/S	200	100	225	225



FLOW CONTROL MANHOLE DETAIL  
SCALE 1:25



PIPE BEDDING DETAILS  
SCALE 1:25



© COPYRIGHT OF THIS DRAWING IS RESERVED BY DBFL CONSULTING ENGINEERS. NO PART SHALL BE REPRODUCED OR TRANSMITTED WITHOUT THEIR WRITTEN PERMISSION.

ON ORIGINAL

NOTES:

- WHERE ROCKS OR OTHER HARD TRENCH BOTTOM IS ENCOUNTERED, THE FIGURE DENOTED BY \* IS TO BE DOUBLED.
- TYPE 1 GRANULAR MATERIAL : BROKEN STONE OR GRAVEL TO PASS 10mm SIEVE AND BE RETAINED ON 5mm SIEVE.
- TYPE 2 GRANULAR MATERIAL : BROKEN STONE OR GRAVEL TO PASS 10mm - 25mm SIEVE, ACCORDING TO PIPE SIZE, (SEE TABLE) AND BE RETAINED ON 5mm SIEVE.
- CLAUSE 601 S.R.W. BACKFILL : UNIFORM READILY COMPACTED MATERIAL FREE FROM TREE ROOTS, VEGETABLE MATTER, BUILDING DEBRIS, AND FROZEN SOIL AND EXCLUDING CLAY LUMPS RETAINED ON A 75mm SIEVE AND STONES RETAINED ON A 37.5mm SIEVE.
- RIGID PIPES SHALL MEAN CAST OR SPUN IRON, CONCRETE OR CLAY.
- GULLY GRATINGS AND FRAMES SHALL COMPLY WITH THE REQUIREMENTS OF I.S./E.N./124 1994. GULLIES SHALL BE CLASS D400.
- GULLY WALLS SHALL BE CONSTRUCTED IN CLASS 30N/mm<sup>2</sup> PRECAST OR INSITU CONCRETE OR ALTERNATIVELY IN SOLID CONCRETE BLOCKS DESIGNATED S10, STRENGTH 10N/mm<sup>2</sup>
- ALL PIPES TO BE BEDDED IN ACCORDANCE WITH MANUFACTURERS RECOMMENDATIONS
- SURFACE WATER SEWERS TO BE CLASS H CONCRETE TO IS EN1917 AND IS 6 2004.

P1	03-12-19	FOR ABP APPLICATION	JVS	BK
REV.	DATE	DESCRIPTION	BY	CHECKD
<b>PLANNING</b>				
DESIGNED	SPB	PREPARED	JVS	
DATE	OCT 2019	CHECKED	BK	

**DBFL** Dublin Office Ormond House, Upper Ormond Quay, Dublin 7, Ireland. PHONE +353 1 400 4000 FAX +353 1 400 4050

WATERFORD OFFICE Unit 2, The Chandlers, 1-2 O'Connell Street, Waterford, Ireland. PHONE +353 51 389 550 FAX +353 51 844 913

DBFL Consulting Engineers [enq\\_info@dbfl.ie](mailto:enq_info@dbfl.ie) [www.dbfl.ie](http://www.dbfl.ie)

PROJECT  
**PROPOSED DEVELOPMENT AT CORNELSCOURT**

DRG. TITLE  
**TYPICAL DRAINAGE CONSTRUCTION DETAILS SHEET 2**

CLIENT  
**CORNEL LIVING LIMITED**

SCALE	AS SHOWN @A1	FILE REF.	180208-DBFL-XX-XX-DR-C-3011
DRG. NO.	180208-DBFL-XX-XX-DR-C-3011	P1	